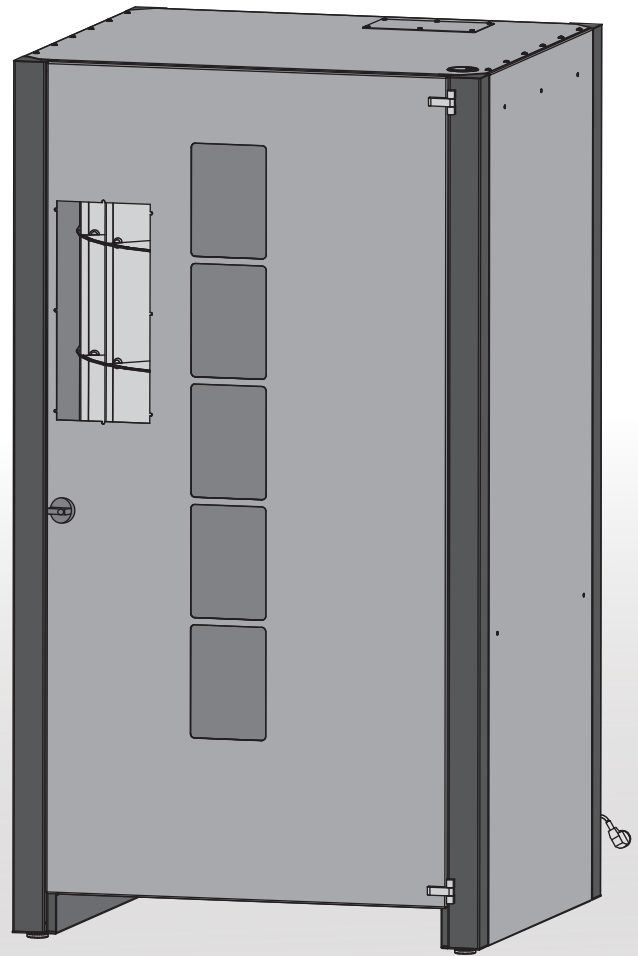


KAZIK 5/18/B1

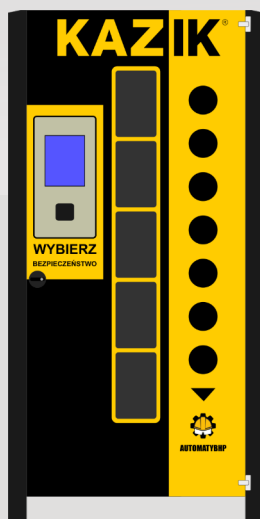
REF. NR OAW 0101010100S32

DESCRIPTION OF CODE SKU:

- 5 DOORS x 18 PARTITIONS
WITH BINS MODEL B1



WEIGHT APPROX. 360kg

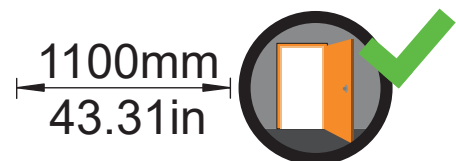


**STANDARD
PAINTING**

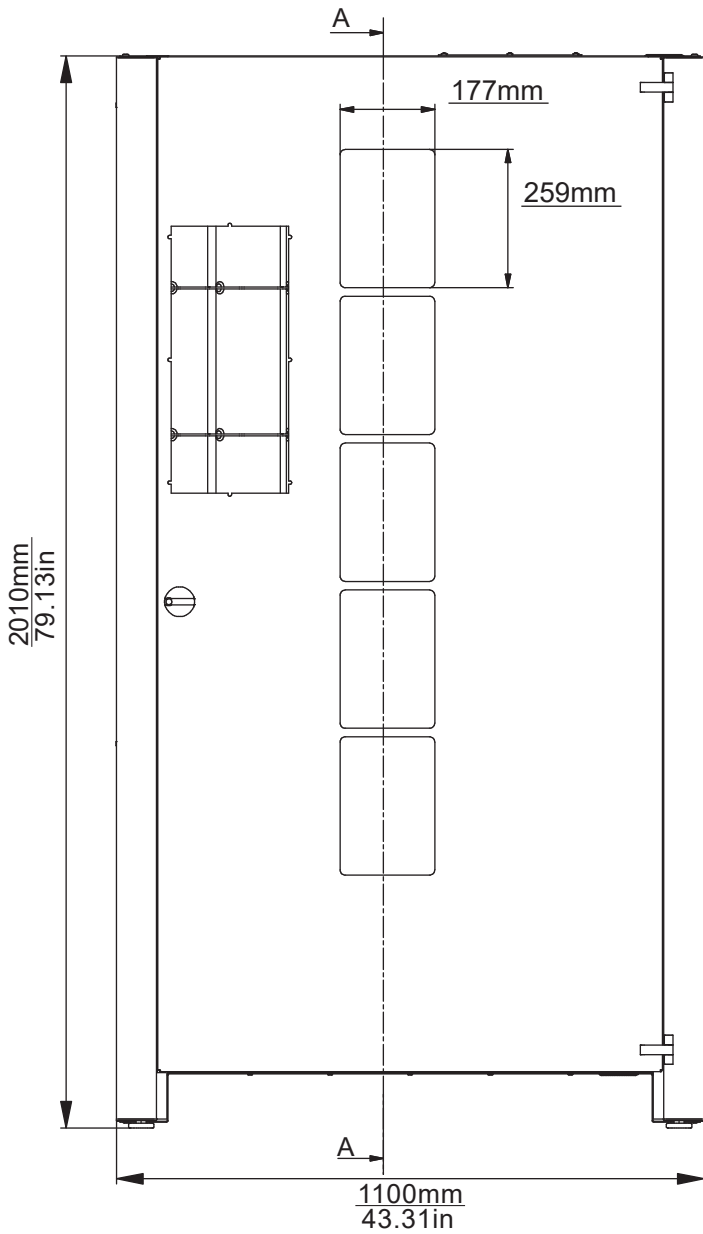


*IT IS POSSIBLE TO PERSONALIZE
THE PAINTING FOR ADDITIONAL FEE

**Vending machine
goes through the
door frame:**

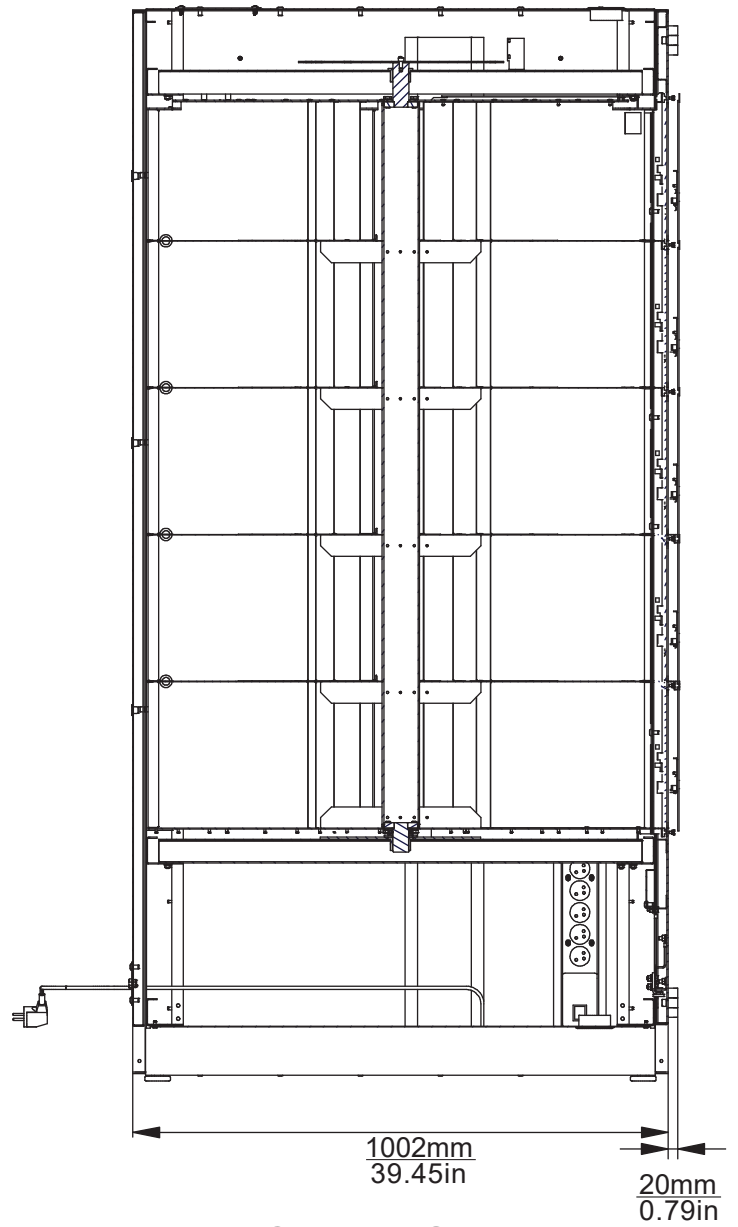


FRONT VIEW



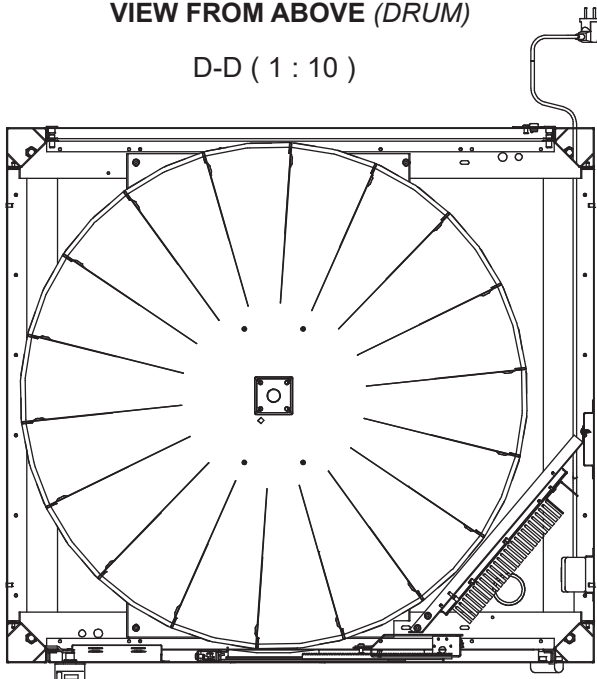
SIDE VIEW

A-A (1:10)



VIEW FROM ABOVE (DRUM)

D-D (1 : 10)



TYPE OF BINS:

TYPE B1

