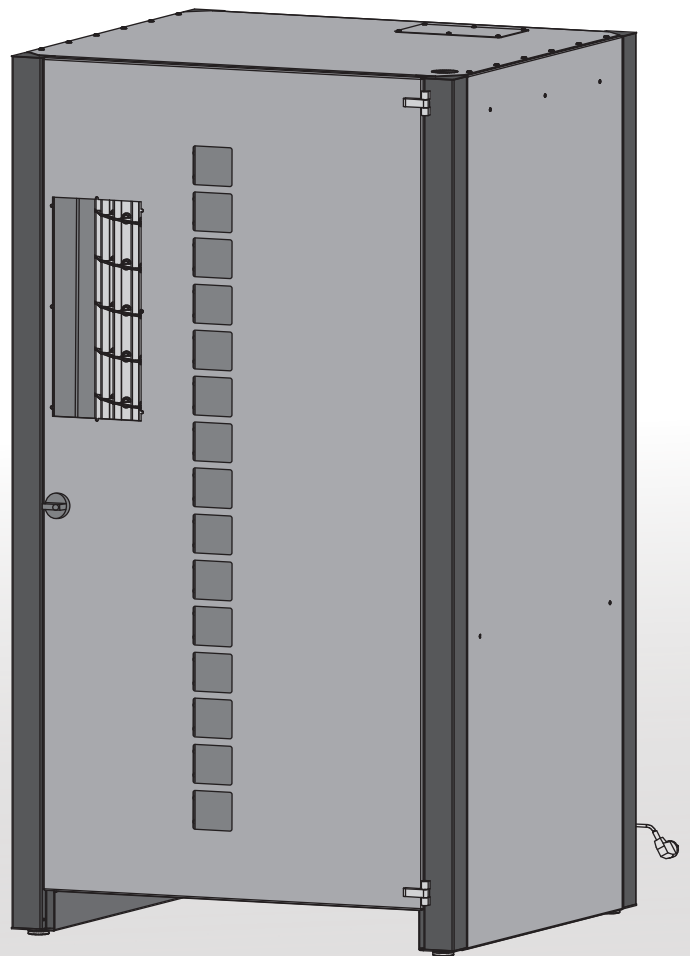


KAZIK 15/36/B6

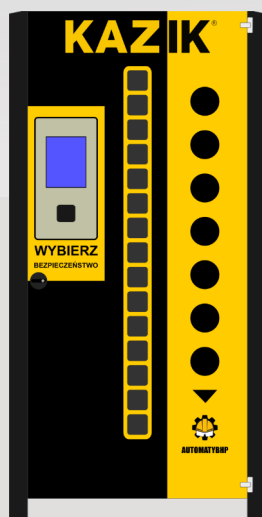
REF. NR OAW 0101050100S30

DESCRIPTION OF CODE SKU:

- 15 DOORS x 36 PARTITIONS
WITH BINS MODEL B6



WEIGHT APPROX. 438kg

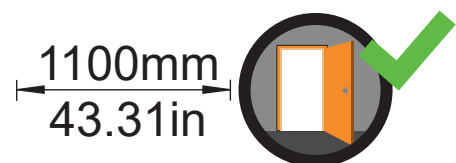


**STANDARD
PAINTING**

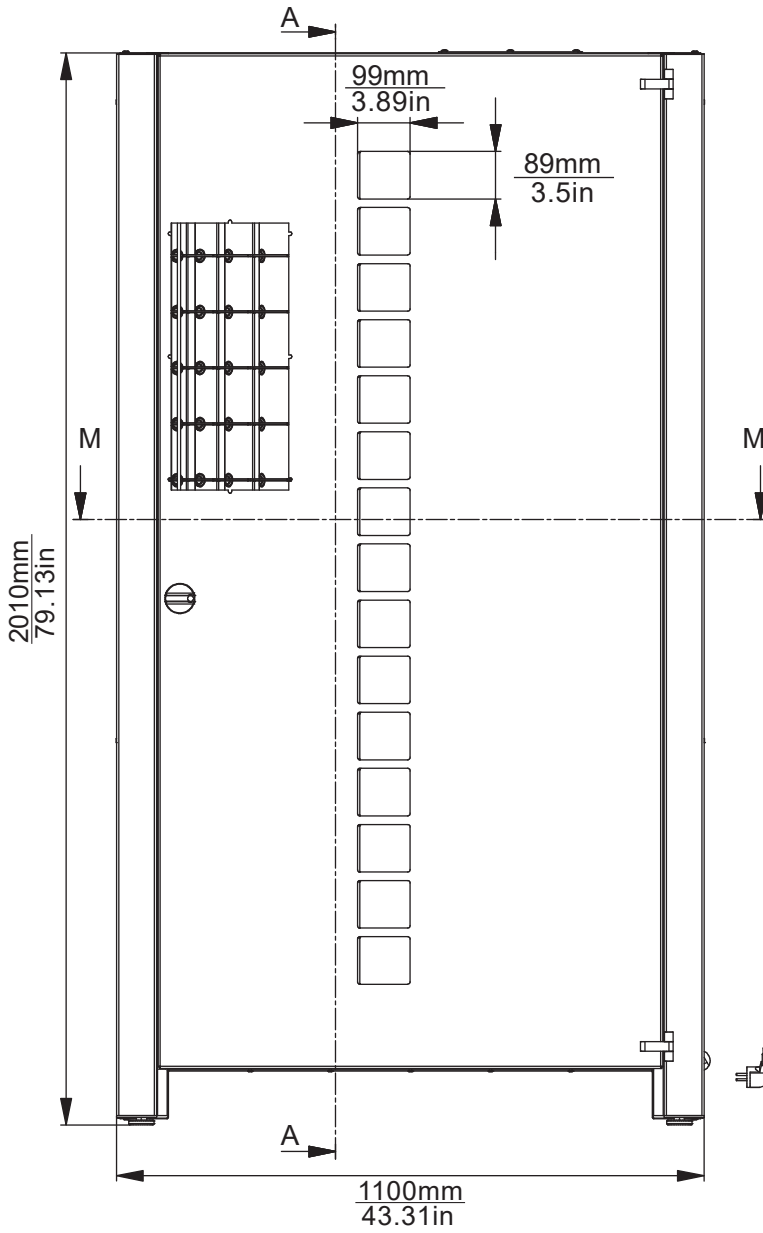


*IT IS POSSIBLE TO PERSONALIZE
THE PAINTING FOR ADDITIONAL FEE

**Vending machine
goes through the
door frame:**

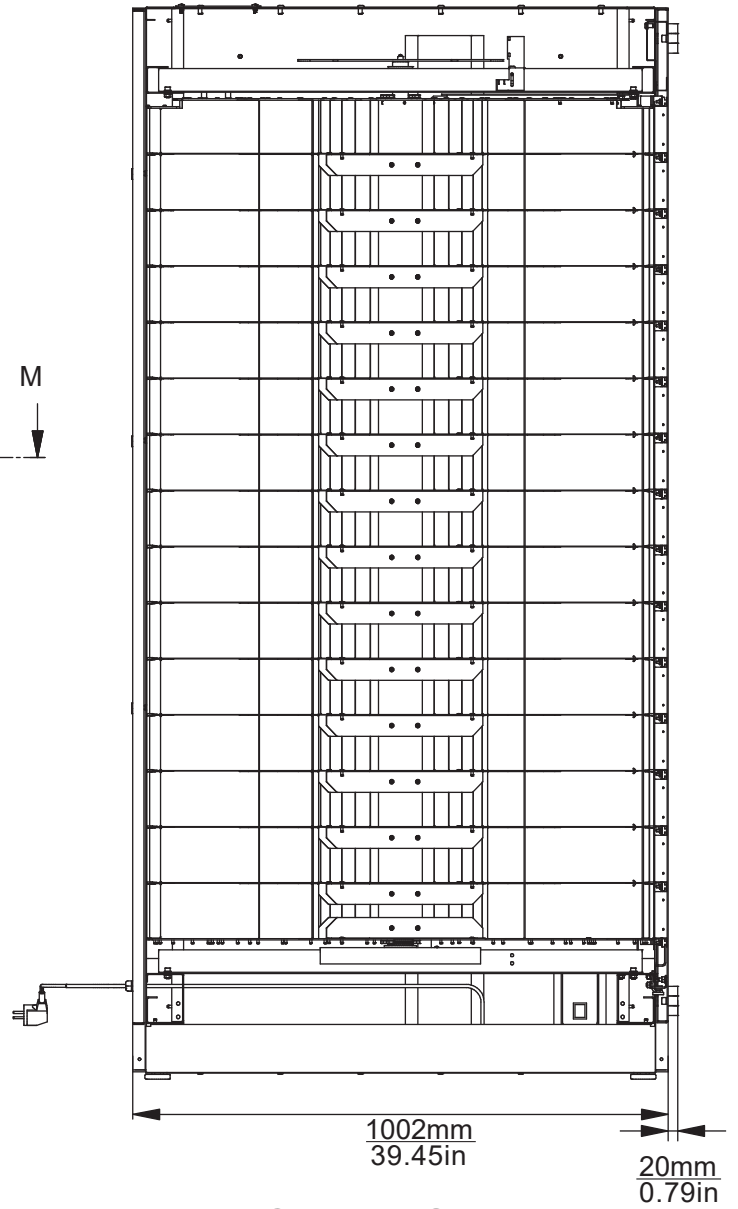


FRONT VIEW



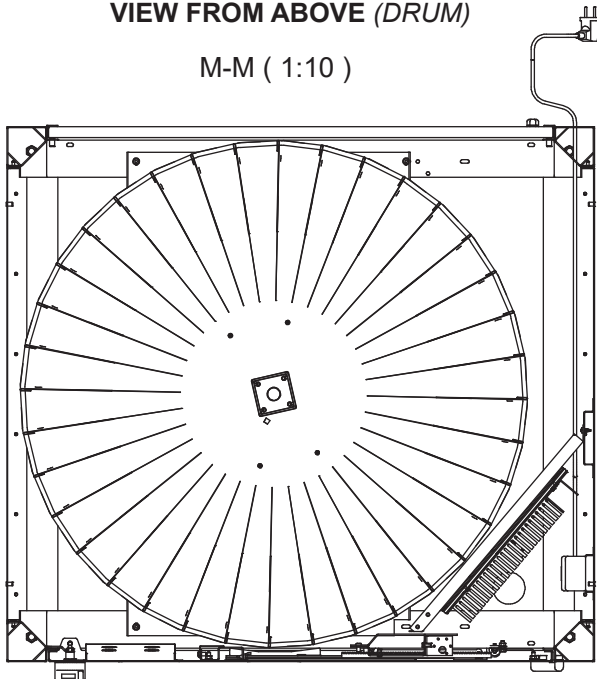
SIDE VIEW

A-A (1:10)



VIEW FROM ABOVE (DRUM)

M-M (1:10)



TYPE OF BINS:

TYPE B6

