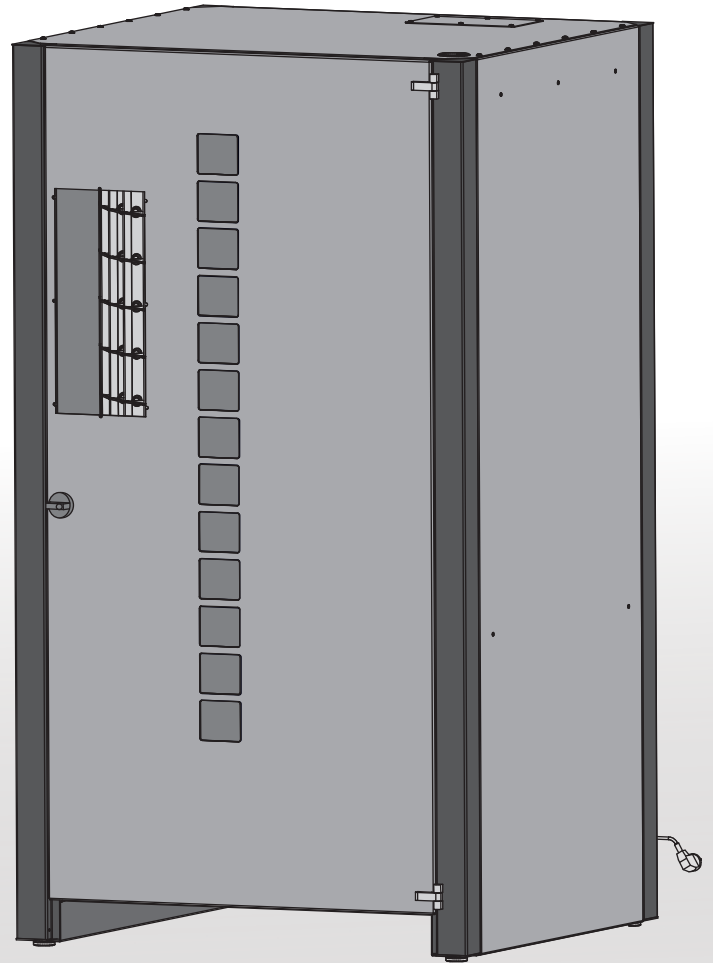


# KAZIK 13/36/B6

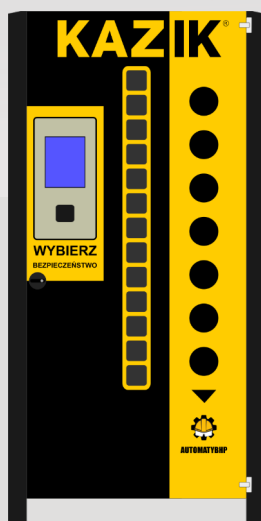
REF. NR OAW 0101050100S02

## DESCRIPTION OF CODE SKU:

- 13 DOORS x 36 PARTITIONS  
WITH BINS MODEL B6



WEIGHT APPROX. 440kg

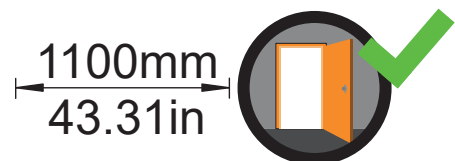


**STANDARD  
PAINTING**

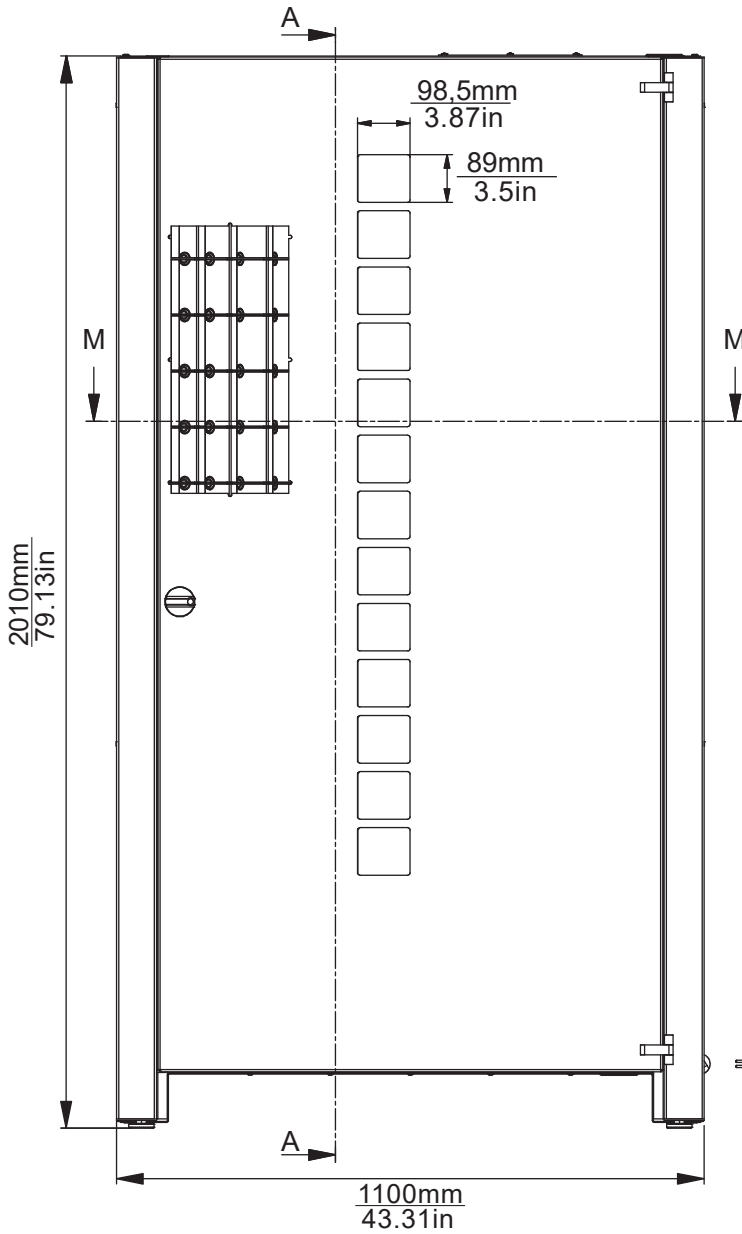


\*IT IS POSSIBLE TO PERSONALIZE  
THE PAINTING FOR ADDITIONAL FEE

**Vending machine  
goes through the  
door frame:**

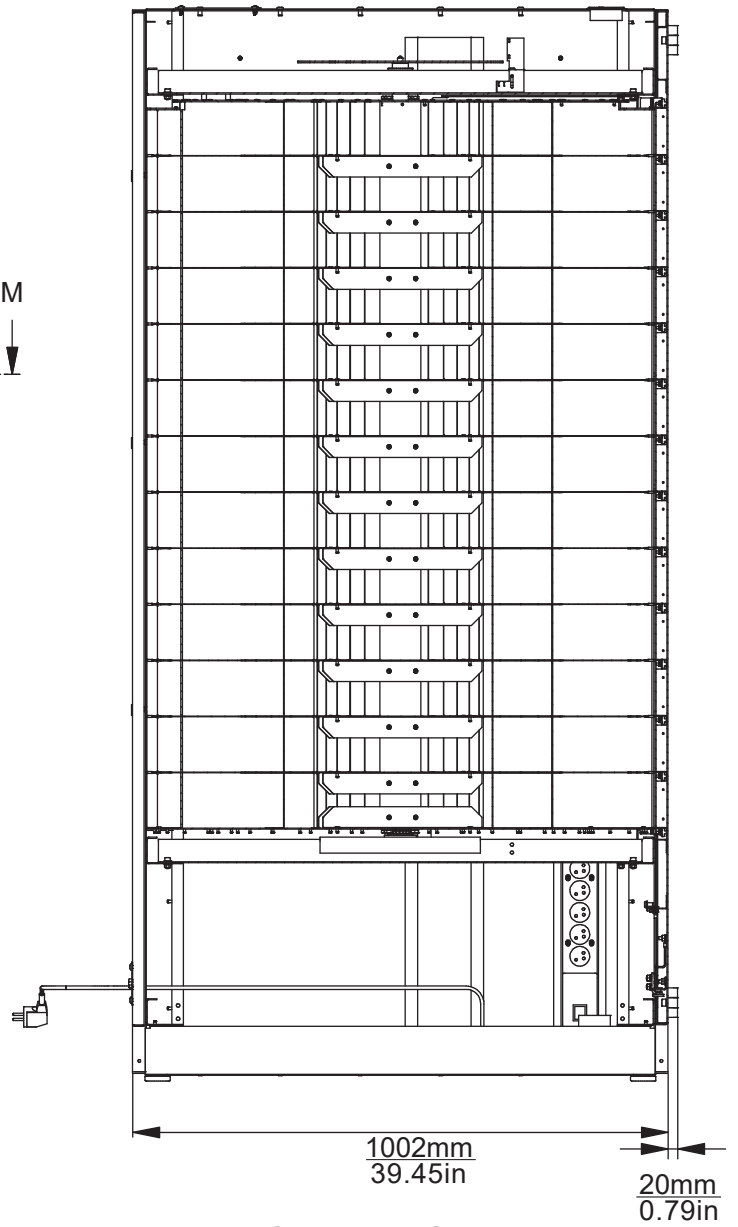


**FRONT VIEW**



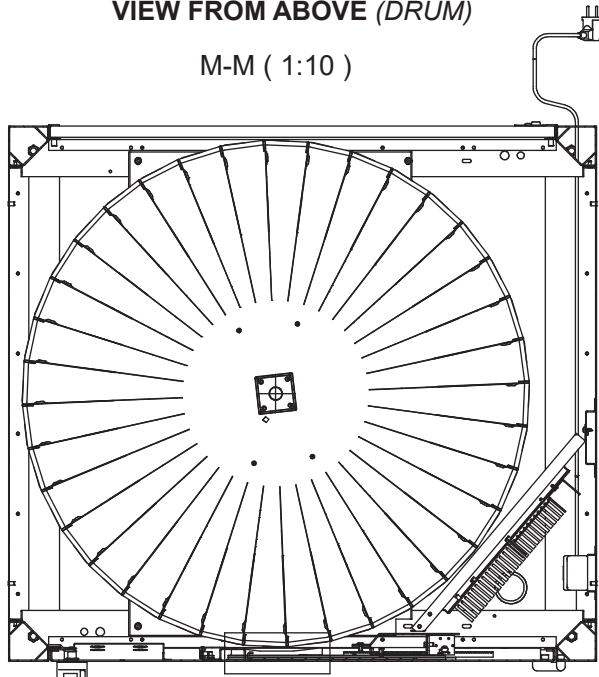
**SIDE VIEW**

A-A ( 1:10 )



**VIEW FROM ABOVE (DRUM)**

M-M ( 1:10 )



**TYPE OF BINS:**

**TYPE B6**

